

There are lots of good reasons for choosing a JEROS Universal Machine!

Optional extras

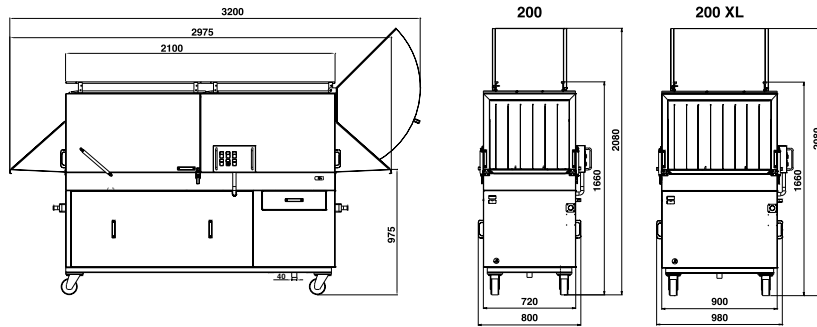
- ✓ Soap dosage pump
- ✓ Rinse aid pump
- ✓ One-man operation
- ✓ After rinse heater
- ✓ Conveyor/lattice belt
- ✓ Variable conveyor speed
- ✓ Trolley systems
- ✓ Drying section



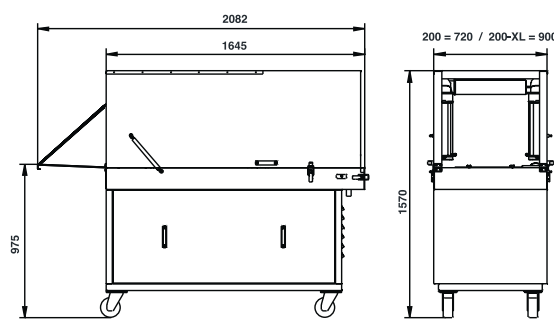
JEROS-200/200XL

- the efficient Universal Throughfeed Machine

JEROS 200/200-XL



JEROS 200-TD



Technical data		200	200-XL	200-TD
Capacity: Crates pr hour	pcs.	150-250	250-300	150-300
Tunnel run-through width	mm.	460	650	460-650
Tunnel run-through height	mm.	470	470	470
Wash tank capacity	liter	150	215	-
Wash tank heating	kW	2x6	2x6	-
Water circulation	l/min.	950	2 x 950	-
Pump capacity	kW	3	6	-
Water consumption	l/t.	360	400-840	-
Voltage connection	Volt+E/Hz	400 / PE / 50	400 / PE / 50	400 / PE / 50
Electrical connection	kW	21	24	4
Fuses	A	32	50	16
Water connection	R"	1/2	1/2	-
Water drain, Ø	Ø mm	50	50	32
High pressure blower	m3/h	-	-	2x2450

Servicing and maintenance

The servicing and maintenance we offer, combined with our knowledge of industrial cleaning/needs, make JEROS the right partner. We only use top-quality suppliers and parts to ensure that you have many years of problem-free use.

Meets HACCP and CE-requirements.



TIME-SAVING
MOBILE AND FLEXIBLE
UNIQUE WASHING SYSTEM
NEUTRAL ZONE

JEROS 200 Series



Clean and happy..



JEROS INHOUSE - 01.2005
 Technical specifications are subject to alteration.



JEROS A/S

Nyborgvej 8 Tel: 0045 63 62 39 13 E-mail: jeros@jeros.dk
 DK-5750 Ringe Fax:0045 62 62 33 01 Http: //www.jeros.com



A universal machine to suit your needs

The JEROS 200/200XL provides efficient cleaning of plastic crates, baskets, baking trays, utensils, pans, etc. Thanks to their flexibility and the special JEROS system, the machines can be used in large and small businesses alike, as they will wash all sorts of different objects, which don't have to be sorted according to size, resulting in increased capacity.

Various add-on systems are available for the series, ensuring that each machine will satisfy the customer's specific requirements.

Depending on what is needed, standard machines can be supplied with a capacity of 200-1500 crates an hour. Special machines and total solutions are available on request.

Advantages

- ✓ A unique washing system with four rotating washing arms guarantees optimum cleaning.
- ✓ A neutral zone ensures an optimum final rinse.
- ✓ Adjustable lateral guides for different crate widths.
- ✓ One-man operation possible.
- ✓ No hold-downs, so objects don't have to be sorted according to size.
- ✓ Conveyor system with two stainless steel chains.
- ✓ Final rinse in clean water at 86°C.
- ✓ Mobile and flexible with four wheels.



Model 200

Low maintenance and user friendly

The JEROS 200/200XL Universal Machine is easy to use and ideal for multiple users. The control panel is sturdy but simple, and can be fitted on either the left or right. The machines can be supplied for one-man operation, either with operation from the top with a crate turner or with a discharge belt with rollers. The universal machine is designed with a special tunnel tilt function, which allows problem-free cleaning of the washing tunnel proper. In addition, the collection filter is designed in the form of a drawer, which provides easy access for cleaning.



Standard
2 conveyor chains



Optional extra
Conveyor belt

Conveyor system

The conveyor system consists of a chain, but a specially developed conveyor belt can be supplied as an optional extra. This allows loose objects such as buckets, small items, etc., to be put through the machine.



Model 200



Model 800



Model 200 XL

Hygienic

The JEROS Universal Machine uses only fresh water for the final rinse. The clean water is heated to 86°C in the rinse tank. Water consumption is 250-600 litres of water an hour, depending on the model.



Model 200 TD



Model 200 TD

JEROS-200 TD

The JEROS-200 TD drying section is easy to connect to the JEROS-200/200XL. Two powerful fans ensure optimum blow-drying of objects after washing. The objects are conveyed straight from the 200/200XL to the drying section through a drip zone.